

4SE-HL – 7.5 HP

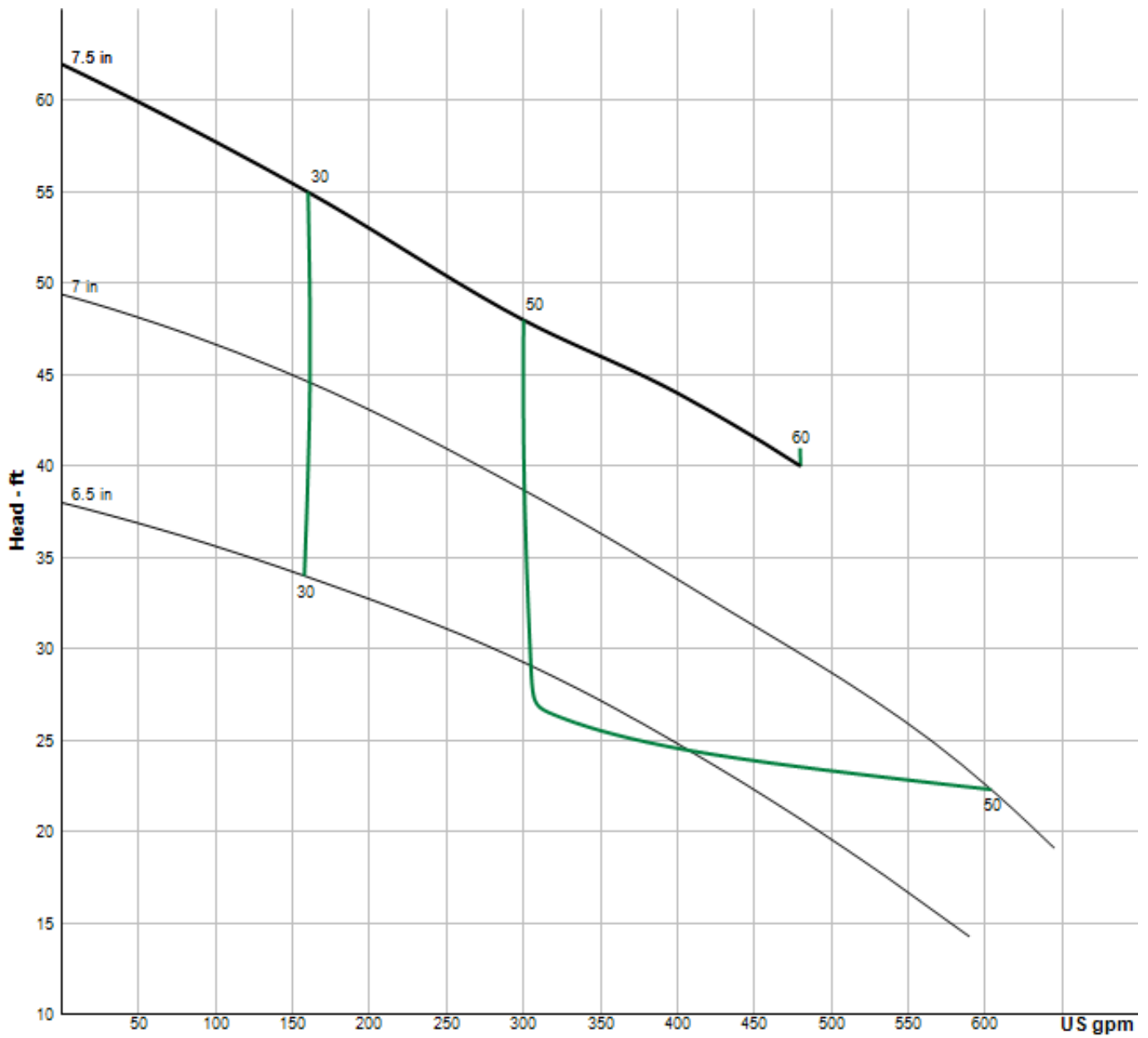
3" Spherical Solids Handling



Specifications

DISCHARGE:	4" horizontal flange
SPEED:	1750 RPM (Nominal)
IMPELLER:	<ul style="list-style-type: none"> • Design: 2 Vane, open with pump out vanes on back side, dynamically balanced, ISO G6.3 • Material: Cast iron ASTM A-48, class 30
CORD ENTRY:	40 ft. (12.1 m) Cord. Epoxy sealed housing with secondary pressure grommet for sealing and strain relief
MOTOR:	<ul style="list-style-type: none"> • Design: NEMA L- single phase, NEMA B - three phase torque curve, oil filled, squirrel cage induction • Winding: Class F, class H rated magnet wire • Service Factor: 1.15
SEAL:	<ul style="list-style-type: none"> • Design: Double mechanical, Oil filled pressure equalized reservoir • Material: Carbon/Ceramic/Buna-N Hardware - 300 series stainless
LIQUID TEMPERATURE:	104°F (40°C) Continuous
VOLUTE:	Cast iron ASTM A-48, class 30
MOTOR HOUSING	Cast iron ASTM A-48, class 30
SEAL PLATE:	Cast iron ASTM A-48, class 30
SHAFT:	416 Stainless steel
SQUARE RINGS:	Buna-N
HARDWARE:	300 Series stainless steel
PAINT:	Air dry enamel (epoxy optional)
UPPER BEARING:	<ul style="list-style-type: none"> • Design: Single row, ball, oil lubricated • Load: Radial
LOWER BEARING:	<ul style="list-style-type: none"> • Design: Single row, ball, oil lubricated • Load: Radial
DIAPHRAGM	Buna-N
LIFTING BAIL	304 Stainless steel
SINGLE PHASE	Capacitor start/capacitor run. Requires Barnes starter/panel which includes capacitors and overload protection
THREE PHASE	Tri Voltage motor 200-230/460. Requires overload protection to be included in control panel, VFD suitable
MOISTURE SENSOR	Normally open (N/O), requires relay in control panel
TEMPERATURE SENSOR:	Normally Closed (N/C), Requires relay in control panel. For three phase units ONLY

Curves

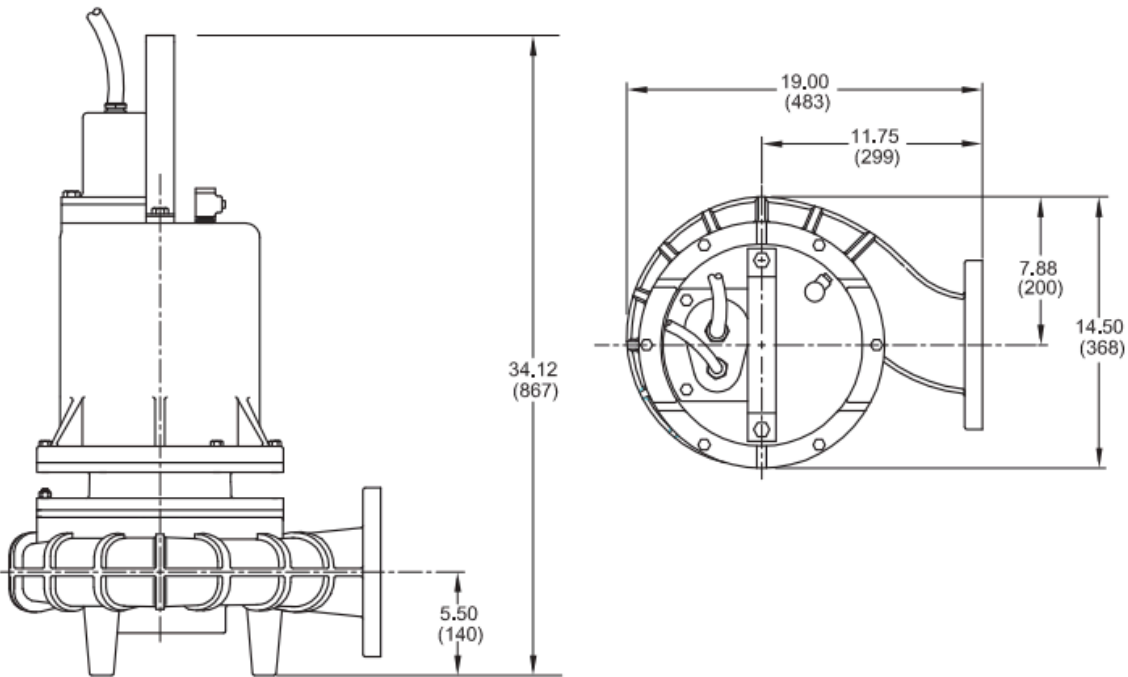



Pump HP	Impeller Dia in. (mm)
7.5	7.00 (178)
11.3	8.00 (203)
15.0	9.00 (229)

Model Information

PUMP MODEL NUMBER	4SE7524HL	4SE7534HL	4SE7544HL	4SE7554HL
PART NUMBER	084641	084642	084643	089315
HP	7.5	7.5	7.5	7.5
VOLTAGE/PHASE	230/1	230/3	460/3	575/3
HZ	60	60	60	60
RPM (NOMINAL)	1750	1750	1750	1750
NEMA START CODE	A	D	D	D
FULL LOAD AMPS	39	26.8	13.4	10.7
LOCKED ROTOR AMPS	96	80	40	32
CORD SIZE	6/4	8/4	8/4	10/4
CORD TYPE	SOW	SOW	SOW	SOW
CORD O.D INCH (MM)	1.06 (27)	0.830 (21)	0.830 (21)	0.750 (19.1)

Drawing



 All dimensions are in inches (mm)